



**Jinan Hengsheng New  
Building  
Materials Co.,Ltd**

**济南恒生新型建材有限公司**

# 目录

## Contents



### Company Profile

公司简介



### Product Information

产品信息



### Our Team

我们的团队



# 01. Company Profile

公司简介

# Company profile

## 公司简介



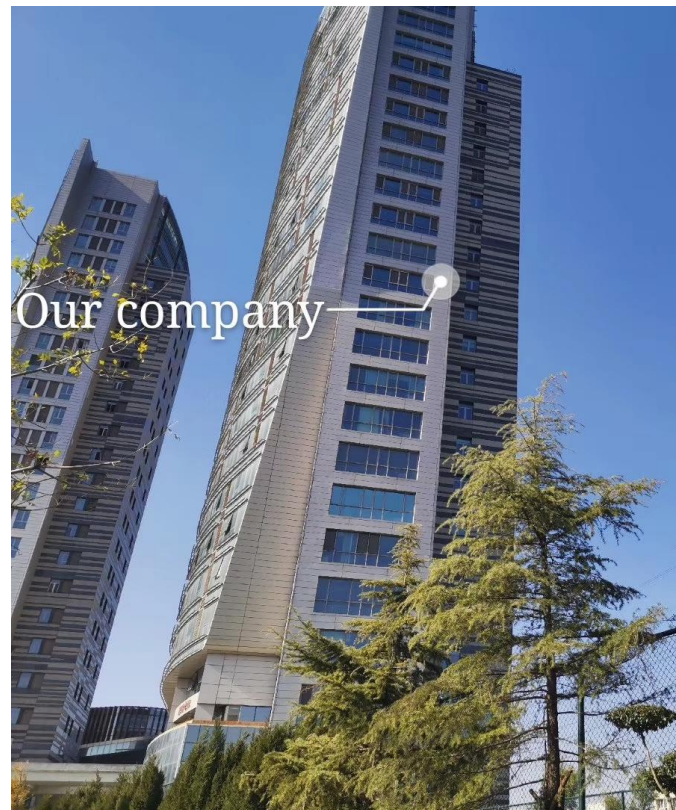
Our company is located in beautiful spring city of Jinan ,Shandong Province, China, with an area of 5000M2.there are 5 pieces of extruding machine,6 pieces of injection molding machine and more than 300 pieces of mould, more than 200 workers including 20 administrator with senior occupational titles and engineering technicians.

# Our Location



ZS factory is located in Jinan city, capital of Shandong Province; about 1.5 hours to Beijing, 1 hour Qingdao and Tianjin, 3.5 hours to Shanghai by high speed railway. 3 hours to Guangzhou by airplane.

## Our Office



## Factory Outside



ZS factory engaged in the research and development, supply and sales for Cane, Walker, Shower chair, wheelchair and so on. Our products are extensively applied in station hospital, elderly and disable people house, hotel or restaurant and other republic places.

# Factory Office





## I Company History

Jinan hengsheng was established, and its business scope extended to Shandong province and surrounding cities.

The company product structure was upgraded, and launched different series of protective products.

Adhering to the brand strategy, the company has become an integrated enterprise of manufacturer, and expanded our domestic and foreign sales team.

### In 2004

### In 2008

### In 2013



### In 2006

Expand the national market.

### In 2010

Set up foreign trade department.

### In 2017

HENGSHENG became the TOPI Tactile Tile manufacturer in China

# Achievements



15 years	10 <sup>+</sup>	100
R&D experience in	Independent research	Professional kinds of high
research and		quality products
development	achievements	
5	80 <sup>+</sup>	10 thousand
Domestic and foreign sales	Countries	
channels		



# 02

# Product Information

产品信息

# Raw Materials Workshop



# P Shower chair product display >>>



5101

- >Adjustable height aluminum frame
- >Arc blow molding seat, wider for more comfortable
- >Built-in hand held and shower holder
- >Anti-skid tip, safe and strong



5205

- > Adjustable height aluminum frame
- > Arc blow molding seat, wider for more comfortable
- > Built-in hand held and shower holder
- > Anti-skid tip, safe and strong
- > Foldable frame for easy storage and space saving



5207

- > Detachable arms provide support for sitting an rising
- > U-shape design for cleaning purpose
- > Removable back
- > Height adjustable in 7 increments (8 holes)
- > Aluminum frame
- > Tool-free assembly



5209

- > Detachable arms provide support for sitting an rising
- > U-shape design for cleaning purpose
- > Removable back
- > Height adjustable in 7 increments (8 holes)
- > Aluminum frame
- > Tool-free assembly

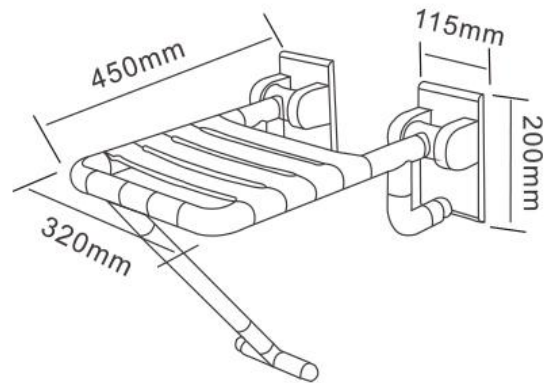
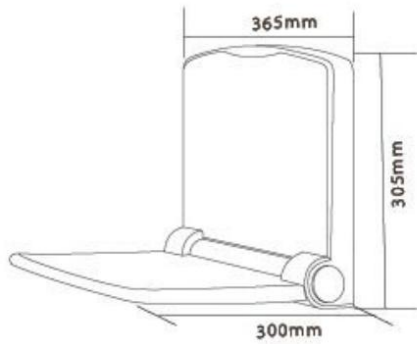
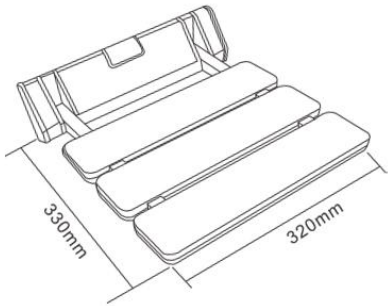


HS-01B



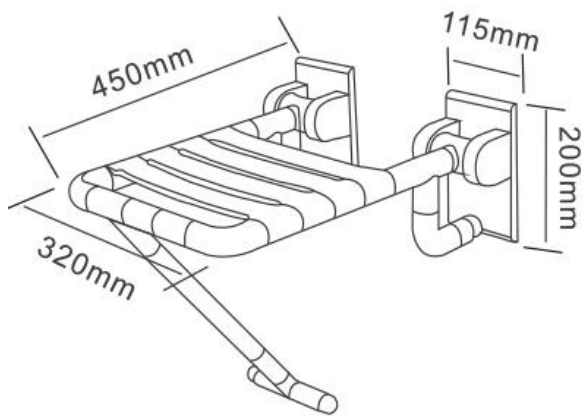
HS-01N

HS-03B

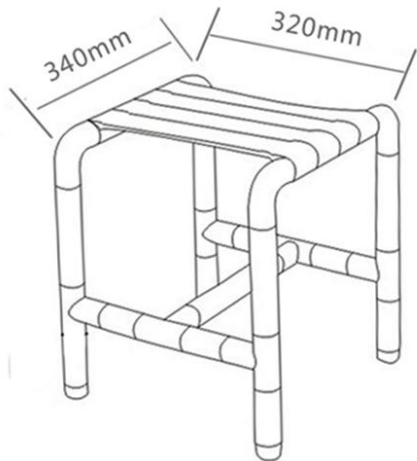




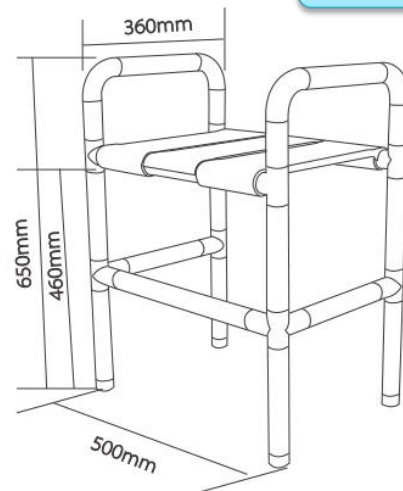
HS-03C



HS-04A



HS-04B





5104

- > Adjustable height aluminum frame
- > Arc blow molding seat, wider for more comfortable
- > Built-in hand held and shower holder
- > Latex-free rubber tips



5104A

- > Height adjustable in 7 increments (8 holes)
- > U-shape design for cleaning purpose
- > Latex-free rubber tips
- > Removable back
- > Aluminum frame
- > Tool-free assembly



5208

- > Adjustable height aluminum frame
- > Arms provide support for sitting an rising
- > Latex-free rubber tips
- > With shower holder



5202

- > Adjustable height aluminum frame
- > Latex-free rubber tips
- > With shower holder



5102

- > Adjustable height aluminum frame
- > Round seat with spinning panel
- > Latex-free rubber tips
- > Great for use in small areas



5301

- > Sturdy aluminum frame
- > Built-in shower holder
- > Stainless steel wall supported plate for durable and safe
- > The foldable design for saving space





**5206**

- > Adjustable height aluminum frame
- > Arms provide support for sitting and rising
- > Latex-free rubber tips
- > With shower holder



**1210**

- > Aluminium bathroom safety frame
- > Textured handles create a comfortable
- > Large suction cup caps on the interior legs
- > Width and height adjustable
- > Tool-free assembly



**1211**

- > Aluminium bathroom safety frame
- > Sturdy frame with heavy duty bearing
- > Simply and easy assembly



**9100**

- > Universal bedral design
- > High quality, sturdy and safety frame
- > With storage bag
- > With safety belt



**9101**

- > Universal bedral design
- > Foldable for space saving
- > High quality, sturdy and safety frame
- > With storage bag
- > With safety belt



Padded Seat for Walker



Plastic Seat for Walker



Dinning board for Wheelchair



Anti-bedsores Cushion



Blue Unisex Urinal



Blue Potty



Wheeled Leg for Walker



Castor



Padded Commode Set



Plastic Commode Set



Plastic Commode Set



4" Locked Swivel wheels



Safety Belt



Tips



Storage Bag



24" Mag Wheel



24" Big Wheel



20" Spoke Wheel



Legrest



Headrest

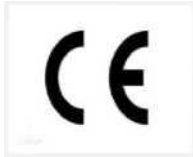


Battery



Front Fork

# Certificate



SGS



检测报告 TEST REPORT

检测项目	检测结果	标准要求	检测结果	标准要求
总挥发性有机化合物 (TVOC)	合格	合格	合格	合格
甲醛 (Formaldehyde)	合格	合格	合格	合格
苯 (Benzene)	合格	合格	合格	合格
甲苯 (Toluene)	合格	合格	合格	合格
二甲苯 (Xylene)	合格	合格	合格	合格
氨 (Ammonia)	合格	合格	合格	合格
氯气 (Chlorine)	合格	合格	合格	合格
臭氧 (Ozone)	合格	合格	合格	合格
二氧化硫 (Sulfur Dioxide)	合格	合格	合格	合格
氮氧化物 (Nitrogen Oxides)	合格	合格	合格	合格
可吸入颗粒物 (PM10)	合格	合格	合格	合格
细颗粒物 (PM2.5)	合格	合格	合格	合格
噪声 (Noise)	合格	合格	合格	合格

SGS TEST REPORT

No. : 02011802000015  
Date : Feb 22, 2018  
Page : 1 of 3

CUSTOMER NAME : JIANYI HENGSHENG NEW BUILDING MATERIALS CO.,LTD  
ADDRESS : JIANYI CHENGSHI BUSINESS CENTER,JIANGSU DISTRICT,JIANYI CITY

Sample Name : PVC Profile  
Product Specification : Horizontal, Wall Protection, Corner Guard, Tactile Tile, Seat Heating, Shower Seat

Manufacturer : Shanghai Hongsheng Protection Products Co., Ltd  
Buyer : Jianyi Hengsheng New Building Materials Co., Ltd

Allow information and sample to be submitted and confirmed by the client. SGS reserves the right to assume no responsibility to verify the accuracy, adequacy and completeness of the sample information provided by client.

SGS Ref. No. : 02011802000015  
Date of Report : Feb 05, 2018  
Testing Start Date : Feb 05, 2018  
Testing End Date : Feb 22, 2018  
Test Method(s) : For further details, please refer to the following page(s) (Please refer to the standard for the results shown in the test report refer only to the appropriate word)

Signed for  
SGS-USTC Shanghai Technical Services (Shanghai) Co., Ltd.  
V. Cheng  
TÜV SÜD  
Authorised signatory



# 03

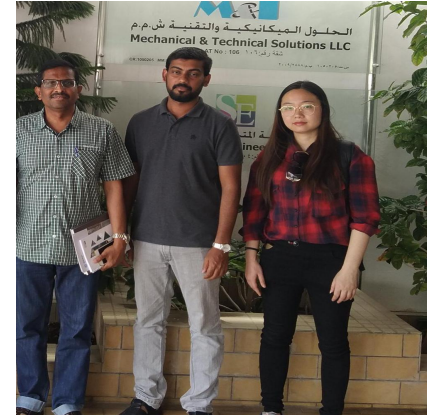
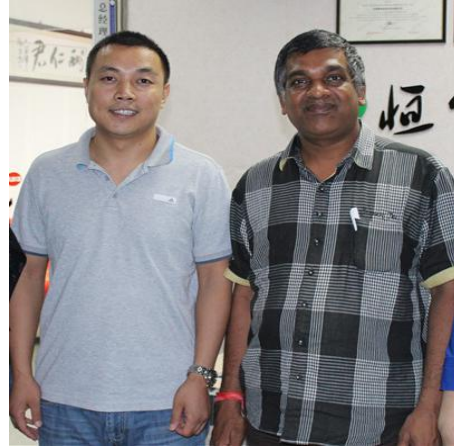
## Our Team

我们的团队

# Our Team



# Our Client



# Our Exhibition



Customers all over  
the world

⋮





# THANKS

谢谢观看